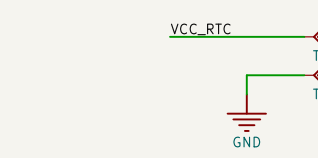
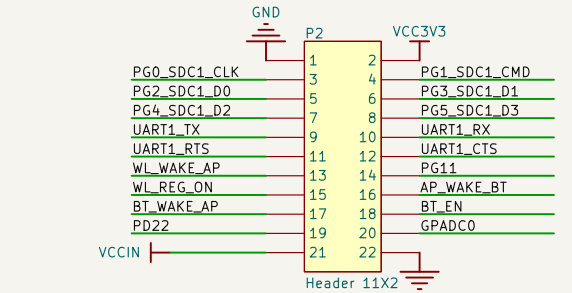
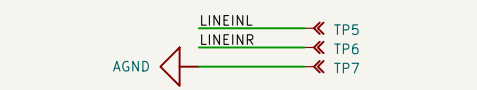
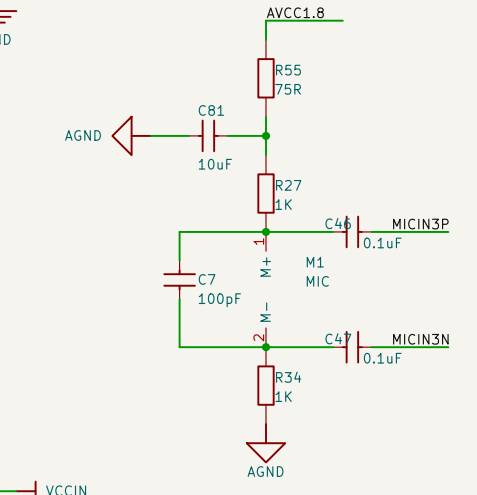
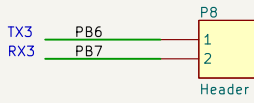
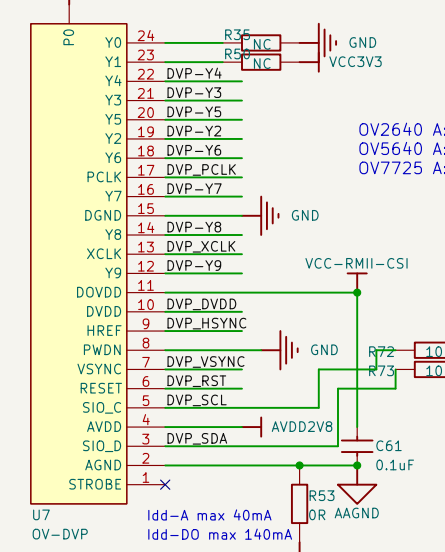
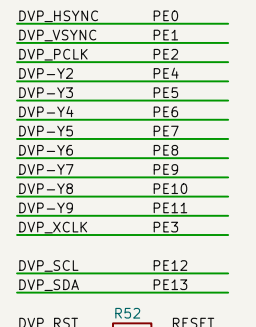


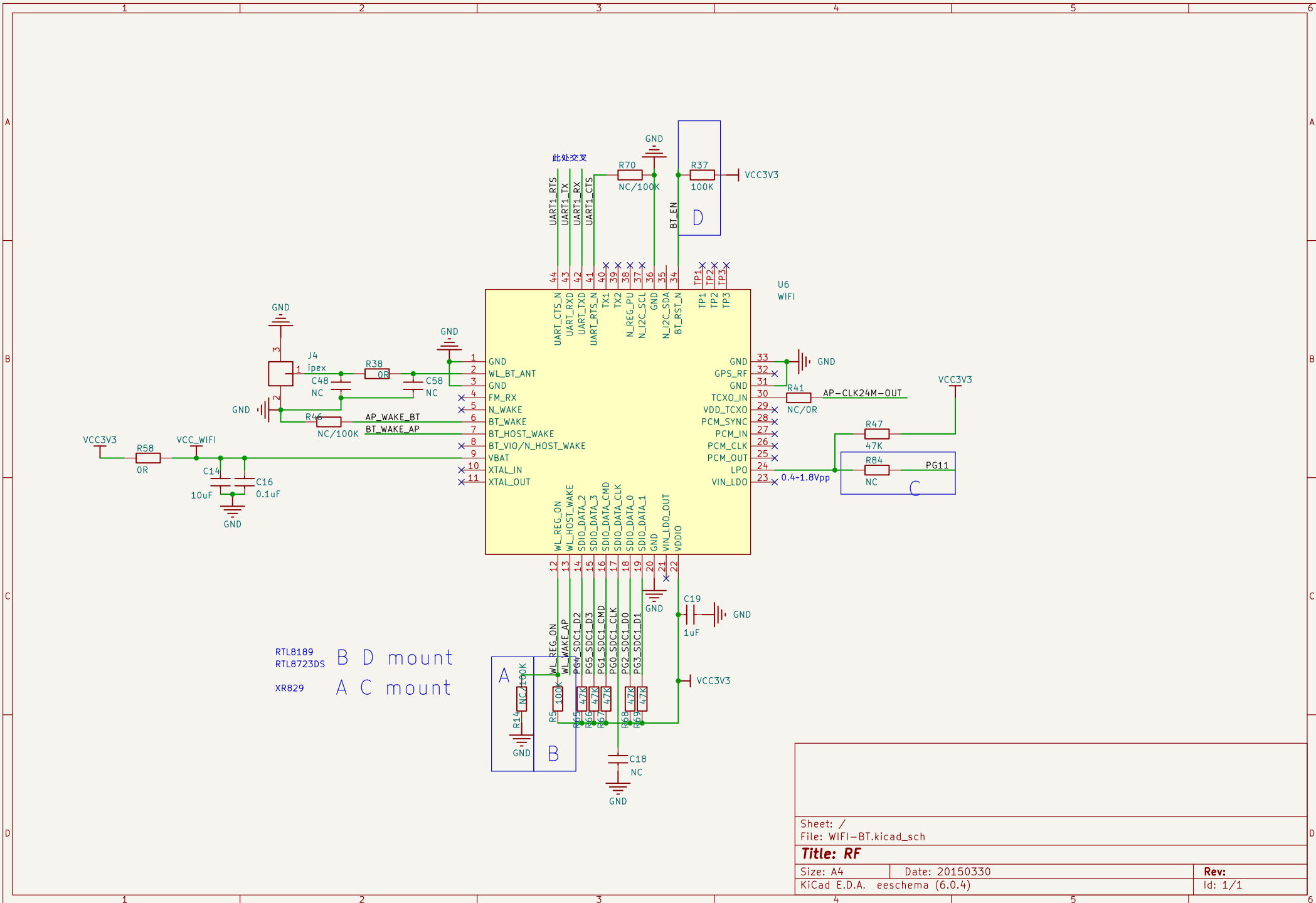
UART3 CONSOLE

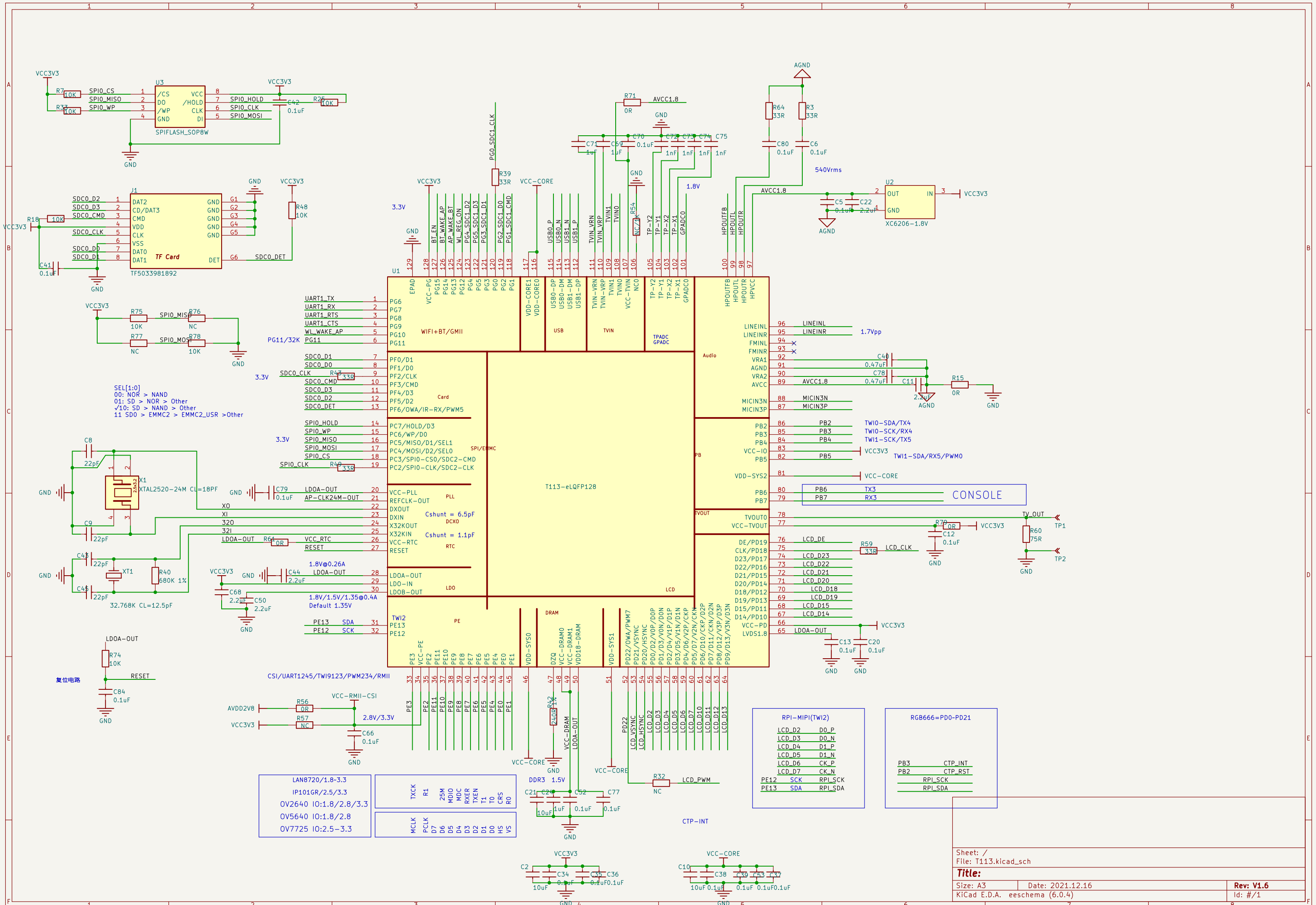


DVP



OV2640 A:2.8.D:1.2,I0:1.8/2.8/3.3
 OV5640 A:2.8.D:1.5,I0:1.8/2.8
 OV7725 A:3.3.D:1.8,I0:2.8/3.3





LAN8720/1.8-3.3	
IP101GR/2.5/3.3	
OV2640 IO:1.8/2.8/3.3	
OV5640 IO:1.8/2.8	
OV7725 IO:2.5-3.3	

TXCK R1	
MCLK PCLK D7 D6 D5 D4 D3 D2 D1 D0 D5 HS TO V5	
D7 25M MDIO MDI MDC D3 RXER TXEN TXEN T1 T0 CRS HS HS RS	

RPI-MIPI(TW12)	
LCD_D2	D0_P
LCD_D3	D0_N
LCD_D4	D1_P
LCD_D5	D1_N
LCD_D6	CK_P
LCD_D7	CK_N
PE12	SCK RPI_SCK
PE13	SDA RPI_SDA

RGB666=PD0-PD21	
PB3	CTP_INT
PB2	CTP_RST
RPI_SCK	
RPI_SDA	